



SKF TKED 1

EC Declaration of conformity

We,
SKF Maintenance Products
Kelvinbaan 16
3439 MT Nieuwegein
The Netherlands

herewith declare that the following product:

SKF TKED 1

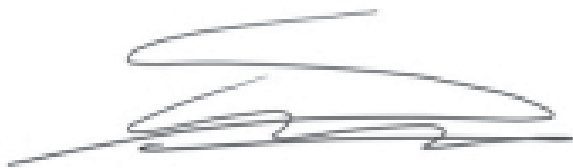
has been designed and manufactured in accordance with:
EMC DIRECTIVE 2004/108/EC as outlined in the harmonized norm for

EN 61326 - 1:2006
EN 61000 - 6-3:2007
EN 61000 - 4-2
EN 61000 - 4-3*
EN 61000 - 4-8

*with the exception of the electromagnetic field immunity in the frequency range of 80 MHz to 300 MHz at 2.5 V/m, where the instrument is sensitive to the electromagnetic field.

EUROPEAN ROHS DIRECTIVE 2011/65/EU

Nieuwegein, The Netherlands,
October 2008

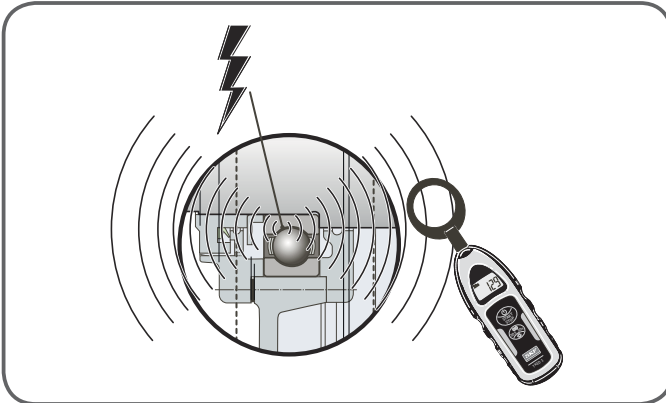


Sébastien David
Manager Product Development and Quality

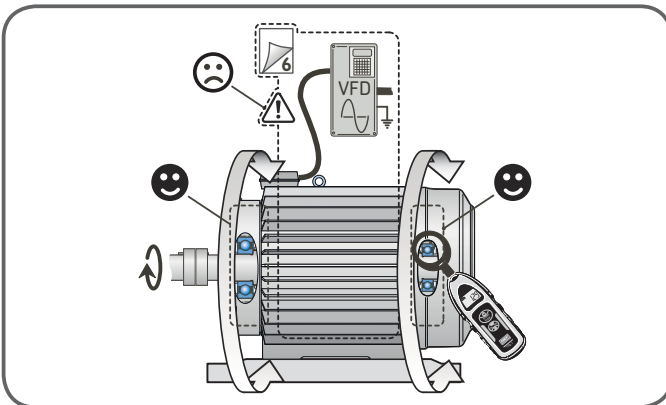


Instructions for use

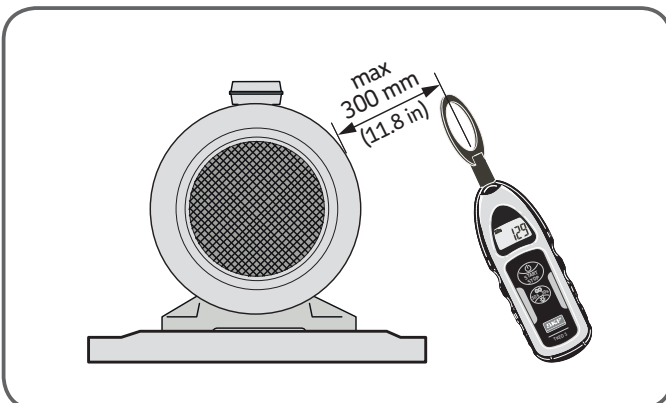
1. TKED 1 detects electrical discharge within the frequency range of 50 MHz to 200 MHz:



2. Use the TKED 1 as close as possible to the bearing location to perform a detection. Avoid the vicinity of the cables and the Variable Frequency Drive (VFD) controller, which could induce some disturbances:



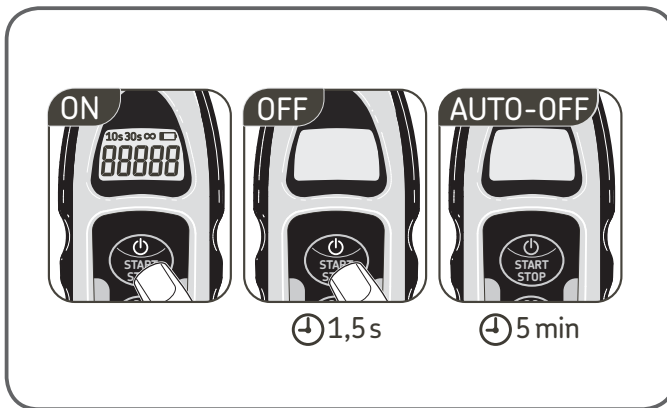
3. The maximum measuring distance is 300 millimetres (11.8 inches):



4. Press on/off button to switch the unit on.

Press on/off button during 1.5 seconds to switch the unit off.

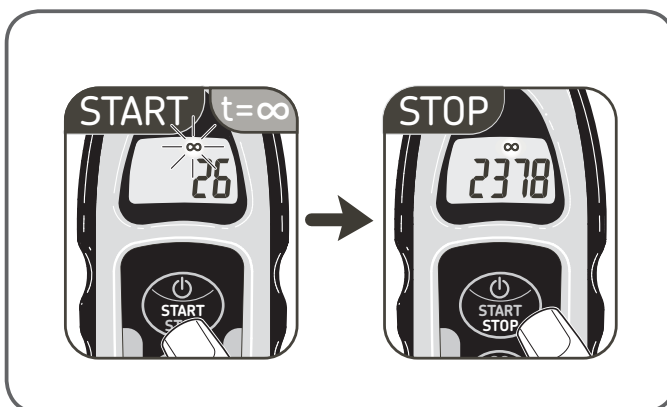
The unit switches automatically off after 5 minutes if no buttons are pressed:



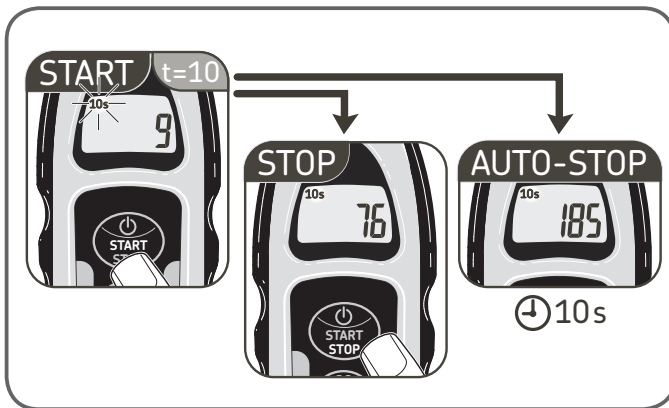
5. Press the sampling time mode to toggle between the default measuring time (infinite, 10 or 30 seconds):



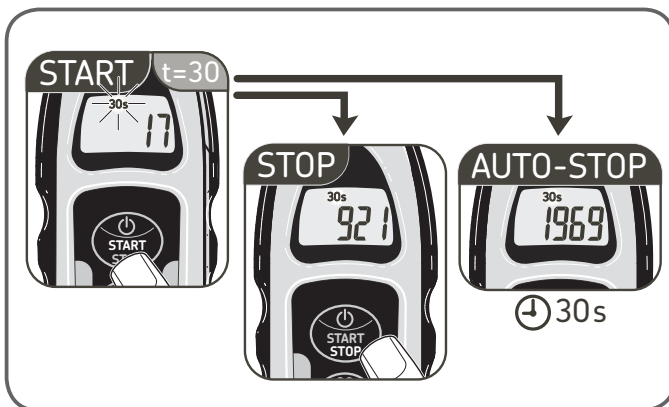
6. If the measuring time selected is infinite: press the start/stop button once to begin the measurement, and press the start/stop button once again to stop the measurement:



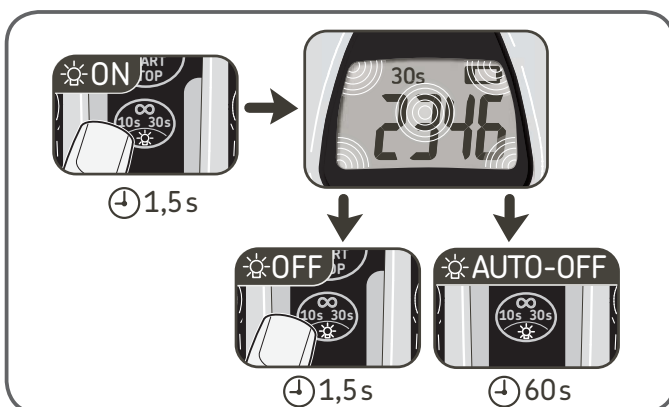
7. If the sampling time selected is 10 seconds: press the start/stop button once to begin the measurement. The measurement will stop after 10 seconds, or if the start/stop button is pressed again:



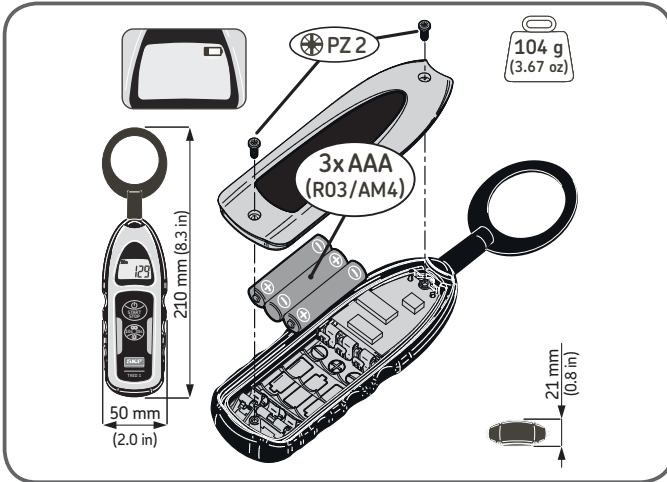
8. If the sampling time selected is 30 seconds: press the start/stop button once to begin the measurement. The measurement will stop after 30 seconds, or if the start/stop button is pressed again:



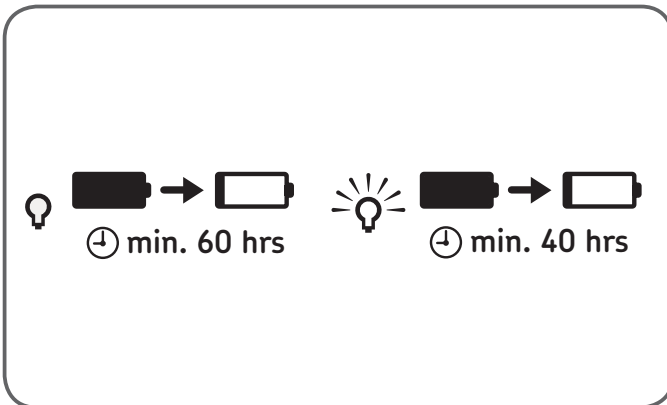
9. To enable/disable the backlit, press the key displaying the light symbol during 1.5 seconds. The backlit will stop automatically after 60 seconds.



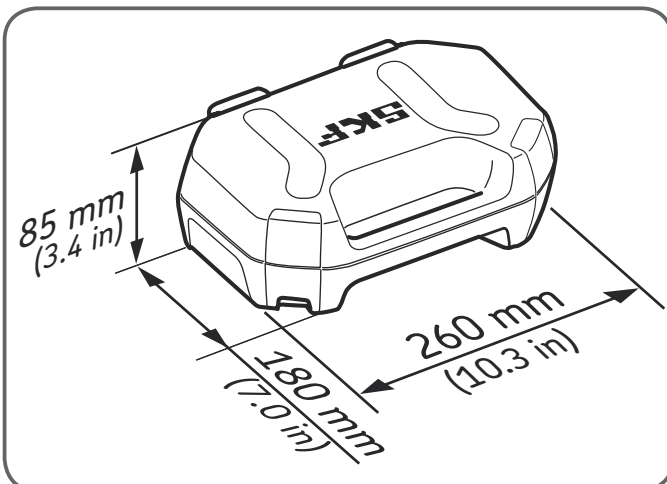
10. When the low battery symbol is displayed on the screen, replace the batteries (3 x Alkaline AAA). To access the battery compartment, use a PZ2 screwdriver.



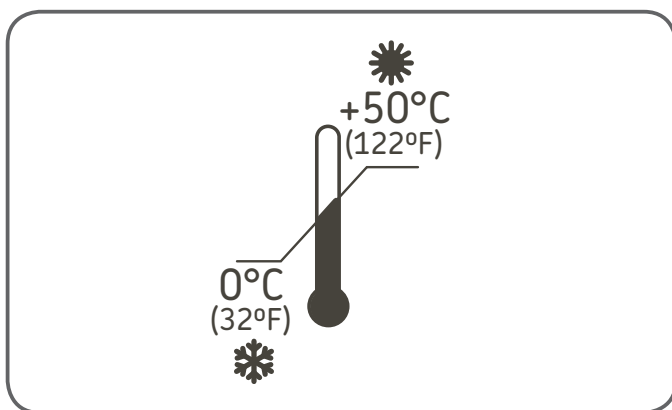
11. Battery life time is
- 60 hours without the backlit on
- 40 hours with the backlit on:



12. Case dimensions:

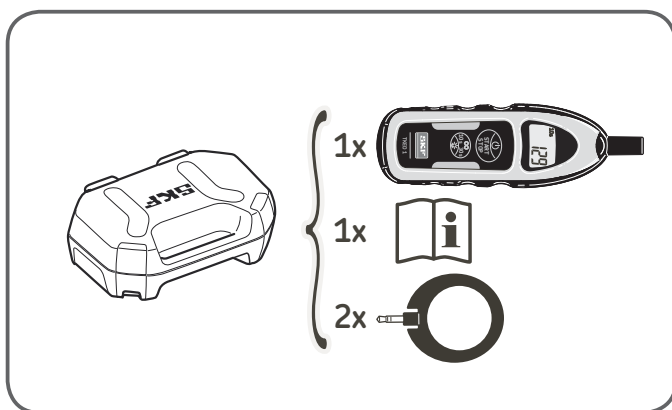


13. Storage and service temperature:

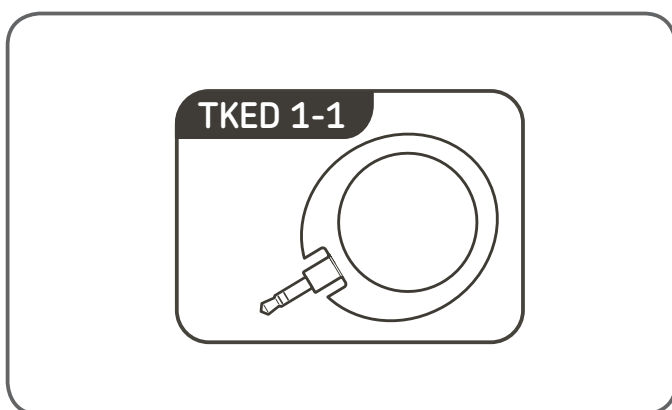


14. Content of the kit:

- one TKED 1 display unit
- one instruction MP5355
- two identical antenna's



15. Spare part designation:



The contents of this publication are the copyright of the publisher and may not be reproduced (even extracts) unless prior written permission is granted. Every care has been taken to ensure the accuracy of the information contained in this publication but no liability can be accepted for any loss or damage whether direct, indirect or consequential arising out of the use of the information contained herein.

SKF Maintenance Products

® SKF is a registered trademark of the SKF Group.
© SKF Group 2013/12

www.mapro.skf.com
www.skf.com/mount

MP5355E-1

