



Application

Mainly used within the machine tool industry for mounting and dismounting bearings and components using the SKF oil injection method.

226270 is suitable for components with a shaft diameter up to 100 mm (4 in).

226271 is suitable for components with shaft diameter not exceeding 200 mm (8 in).

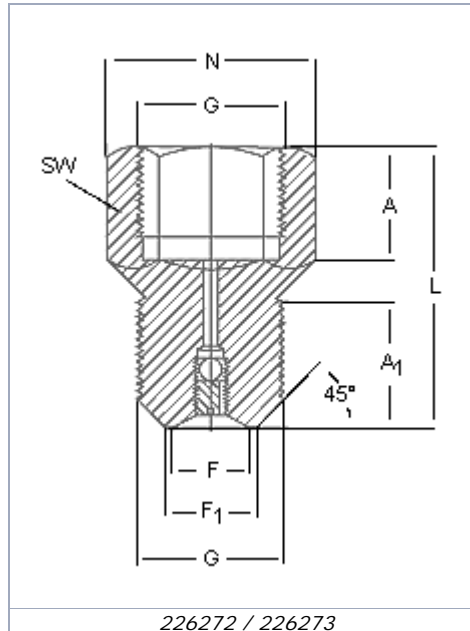
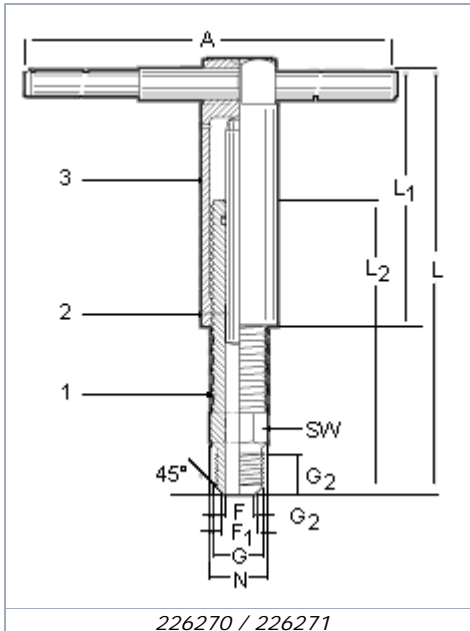
Description

The screw injectors consist of an injector cylinder (1) which is connected directly to the workpiece. The cylinder is filled with oil before the piston (2) is pushed into its bore. By screwing the sleeve (3) onto the outer thread of the injector cylinder, the piston will inject the oil.



Technical data

| Designation | 226270 | 226271 |
|--------------------------------|---|---|
| Maximum pressure | 300 MPa (43,500 psi) | 300 MPa (43,500 psi) |
| Oil container capacity | 5,5 cm ³ (0.33 in ³) | 25 cm ³ (1.5 in ³) |
| Suitable shaft diameters | ≤ 100 mm (4 in) | ≤ 200 mm (8 in) |
| Load to reach maximum pressure | 10 kg (22 lb) | 30 kg (66 lb) |



Technical data

| Designation | Weight | | Dimensions | | | | | | | | | | | | | | | | | | |
|---------------|--------|-----|------------|-----|------|----------------|----------------|--------|------|----------------|------|----------------|------|-----|------|-----|------|------|------|----|------|
| | kg | lb | G | A | F | F ₁ | G ₂ | L max. | | L ₁ | | L ₂ | | N | | SW | | | | | |
| | | | inch | mm | inch | mm | inch | mm | inch | mm | inch | mm | inch | mm | inch | mm | inch | mm | inch | mm | inch |
| 226270 | 0,8 | 1.8 | G 3/8 | 350 | 13.8 | 8 | 0.31 | 10 | 0.39 | 12 | 0.47 | 180 | 7.1 | 95 | 3.7 | 105 | 4.1 | 21,9 | 0.86 | 19 | 0.75 |
| 226271 | 2,1 | 4.6 | G 3/4 | 490 | 19.3 | 14 | 0.55 | 15 | 0.59 | 22 | 0.87 | 268 | 10.5 | 140 | 5.5 | 155 | 6.1 | 31,2 | 1.23 | 27 | 1.06 |

Technical data

| Designation | Dimensions | | | | | | | | | | | | | | | Weight | |
|---------------|------------|----|----------------|----|----------------|----|------|--------------|------|----|------|------|------|----|------|--------|------|
| | G | A | A ₁ | F | F ₁ | L | N | Across Flats | | kg | lb | | | | | | |
| | inch | mm | inch | mm | inch | mm | inch | mm | inch | mm | inch | mm | inch | mm | inch | kg | lb |
| 226272 | G 3/8 | 15 | 0.59 | 17 | 0.67 | 9 | 0.35 | 10 | 0.39 | 40 | 1.57 | 25,4 | 1.00 | 22 | 0.87 | 0,05 | 0.11 |
| 226273 | G 3/4 | 20 | 0.79 | 22 | 0.87 | 14 | 0.55 | 15 | 0.59 | 50 | 1.97 | 36,9 | 1.45 | 32 | 1.26 | 0,20 | 0.44 |

