

Application

The adapter block 226402 makes it easy to connect a high pressure pipe and pressure gauge to the SKF oil injector 226400 or to any of the airdriven pumps type THAP.

Description

The adapter block 226402 consists of a cast block to which a pressure gauge and high pressure pipe can be connected. It comes with a floor support and a 90° connection nipple for the oil reservoir.

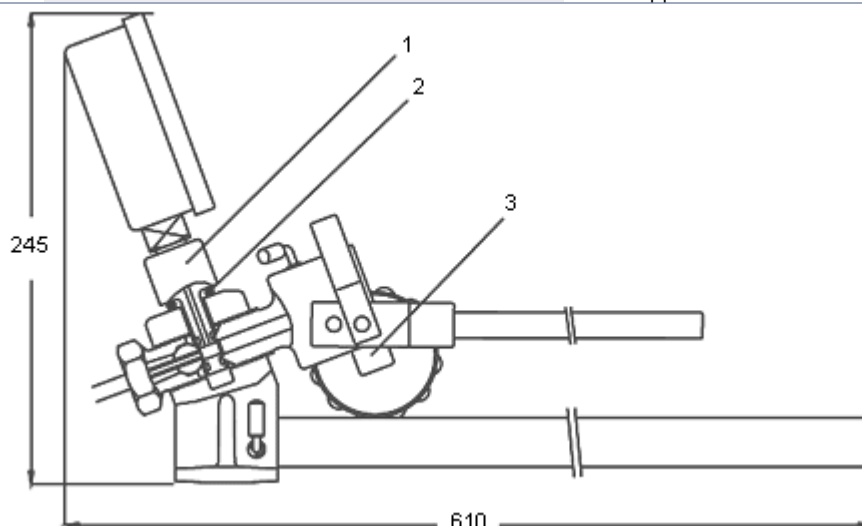


Technical data

Designation	226402
Maximum pressure	400 MPa (58,000 psi)
Pressure gauge connection	G 1/2
Pressure pipe connection	G 3/4
Length of floor support	570 mm (22.4 in)
Dimensions when assembled	
Length	250 mm (10 in)
Width	610 mm (24 in)
Height	245 mm (9.6)
Total weight	2,65 kg (6 lb)

Replacement parts

Part no.	Designation	Description
1	226402-1	Gauge nipple
2	226402-2	O-ring
3	1077597-1	Filter nipple 90°



Note: Injector and pressure gauge not included in 226402

