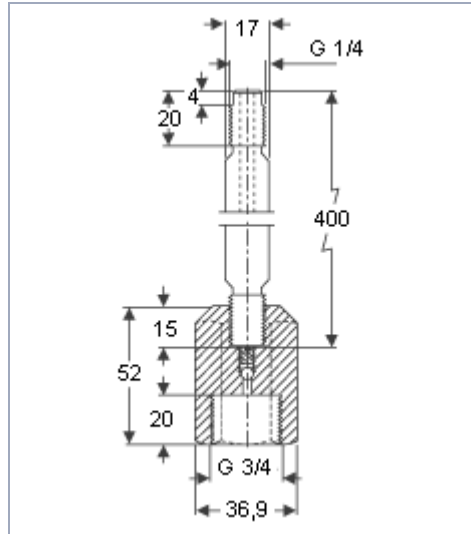


Application

Intended to be used between an oil pressure joint and an oil injector (226271) when a thin wall thickness of the pressure joint prevents the connection of the injector directly to the joint. The valve nipple is used to retain oil under pressure in the application, while the injector is being refilled.

Maximum working pressure

300 MPa (43,500 psi). The valve nipple and the extension pipe have to be ordered separately.



Technical data

Designation (valve nipple)	227963
Designation (extension pipe)	227964
Maximum working pressure	300 MPa (43,500 psi)
Weight (complete set)	0,84 kg (1.85 lb)

