

SKF TKRT 25M



Instructions for use

Table of contents

Safety precautions	4
1. Instructions for use.....	6
2. Technical data.....	9
3. General usage.....	10
3.1 Rotational Speed (rpm)	10
3.2 Linear Speed (m/min).....	11
4. Spare parts and accessories.....	11



READ THIS FIRST Safety precautions

Read this instruction for use fully. Follow all safety precautions to avoid personal injury or property damage during equipment operation. SKF cannot be responsible for damage or injury resulting from unsafe product use, lack of maintenance or incorrect equipment operation. In case of any uncertainties as regards the use of the equipment contact SKF.

This device is used for measuring the speed of rotating and moving objects. It may only be used in accordance with these instructions. The device must not be opened. Modifications to the device are not permitted. The manufacturer shall not be liable for damage resulting from incorrect use or use contrary to the intended use. Warranty claims will also be invalidated in this event.

⚠ WARNING:

Risk of injury!

- Moving objects should not be approached without care.
- Do not touch moving objects directly, under any circumstance.
- The device may not be used in potentially explosive areas.

Warranty void!

- Do not expose the equipment to rough handling or heavy impacts.
- Always read and follow the operating instructions.
- Opening the housing of the instrument may result in hazardous mishandling and voids warranty.
- Do not expose the equipment to high humidity or direct contact with water.
- All repair work should be performed by an SKF repair shop.

NOTE:

- Suitable for use in residential, commercial and industrial area.

1. Instructions for use

These operating instructions are an integral part of the device. They must be stored in an easily accessible location and passed on to subsequent users. Ask your supplier if there is something you do not understand.

WARNING:

Read the operating instructions thoroughly and follow the instructions provided. These operating instructions contain important information about installing, starting up and operating the tachometer.

Pay particular attention to the safety information and warnings to prevent injuries and product damage.

The manufacturer reserves the right to continue to develop this device without documenting all developments. Your supplier will be pleased to inform you as to whether these operating instructions are current.

SAFETY INSTRUCTIONS:

Check unit for damage before use. If the casing is damaged such that internal parts may have been dislodged, do not use the tachometer. Ensure the tip rotates freely.

During use, if the tachometer starts making unusual noises or vibrations from the gears or bearings, stop using the tachometer and refer to the manufacturer.

Do not apply the tachometer to a rotating machine continuously. Only use the wheel or tip for sufficient time to make a measurement. The tachometer is designed for intermittent use only, not continuous running.

Content of the box:

- Tachometer: SKF Tachometer TKRT 25M
- Contacts: extension, 2 cone tips and 1 wheel
- Operating instructions
- Measure / hold button

Description:

A - Range selector

B - Display dial gauge

C - Tip where to connect accessories

D - Accessories



Fig. 1 – Tachometer SKF TKRT 25M

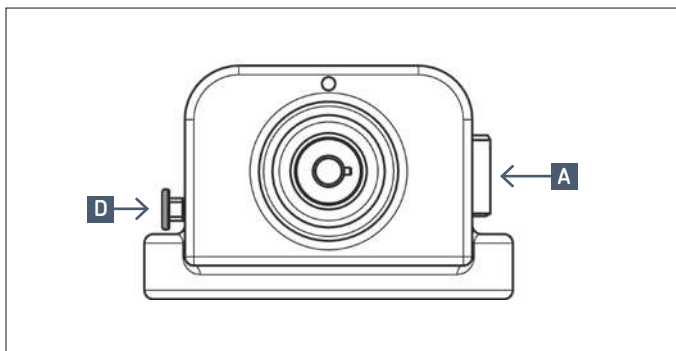


Fig. 2 – Accessories



Fig. 3 – General aspect of the device

1	Wheel
2 & 3	Conical tips
4	Extension shaft

2. Technical data

Designation	TKRT 25M
Measurement	
Contact modes	rpm and m/min
Rotational speed range	10 to 10 000 rpm
Linear speed range	1 to 1 000 m/min
Accuracy	±0.5% of measuring range full scale value
Contact adaptors	Included with removable cones & wheels
Display update	continuous live
Controls	Range selector switch and measure/hold button
Housing material	ABS (plastics)
Product dimensions	155 × 85 × 55 mm (6.1 × 3.3 × 2.2 in)
Case dimensions	260 × 85 × 180 mm (10.2 × 3.3 × 7.1 in)
Unit weight	300 g (0.7 lb)
Total weight (incl. case)	880 g (1.95 lb)
Operating temperature	0 to 40 °C (32 to 104 °F)
Storage temperature	-10 to +40 °C (14 to +104 °F)
Type of protection for indication only	IP 40

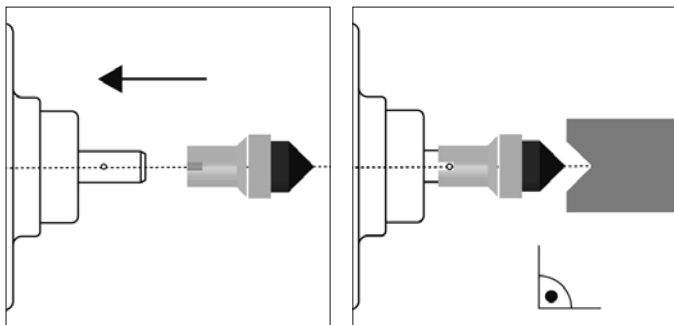
3. General usage

The tachometer offers two different modes to operate it. By using the cone tips or wheel the user defines his need: the tachometer displays the rotational speed or the linear speed depending on the application.

Unit	Name	Description
rpm	Rotational speed	Rotational speed mode with contact tips.
m/min	Linear speed	Linear speed mode to be used only with wheel.

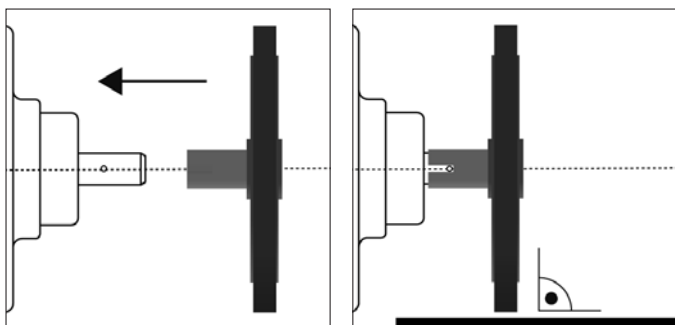
3.1 Rotational Speed (rpm)

- Select the range by pushing the switch **A** to the suitable multiplier for your application.
- If unknown, start with the maximum multiplier x100 and adjust to lower range as needed.
- Manually rotate the measuring shaft of the tachometer **C** to engage the gear for the selected range.
- Slide conical contact adapter over the shaft of the tachometer **C**.
- To make a measurement, press and hold the the blue pointer button **D** to activate the tachometer needle on the gauge. When the blue pointer button **D** is released, the needle will remain in its last measured position.
- To reset the needle to a Zero position, press and release the blue pointer button **D**.
- Speed can be read on the outer scale of the gauge.



3.2 Linear Speed (m/min)

- Same as above, but with contact wheel adapter over the shaft of the tachometer C.
- Speed can be read on the inner scale of the gauge.



4. Spare parts and accessories

Designation	TKRT 25M
TKRT TIPSM	Contact adapters
TKRT 25M-CA	Toolcase with inlay for TKRT 25M
TDTC 1/A	General toolcase without inlay, size A

The contents of this publication are the copyright of the publisher and may not be reproduced (even extracts) unless prior written permission is granted. Every care has been taken to ensure the accuracy of the information contained in this publication but no liability can be accepted for any loss or damage whether direct, indirect or consequential arising out of the use of the information contained herein.



[skf.com](https://www.skf.com) | [mapro.skf.com](https://www.mapro.skf.com) | [skf.com/mount](https://www.skf.com/mount)

® SKF is a registered trademark of the SKF Group.

© SKF Group 2021

MP5503EN · 2021/02