

Application

The Grease packer LAGP 400 is a low pressure alternative for emptying the new SKF grease cartridges. The transparent section of the cartridge allows easy measurements of the dispensed grease volume.

Description

The principal design is that of a so called "silicon gun" which allows an easy, one-hand operation to dispense grease. Each grease packer comes with three spout caps which are used to direct the grease into the bearing or any other open application such as open gears.

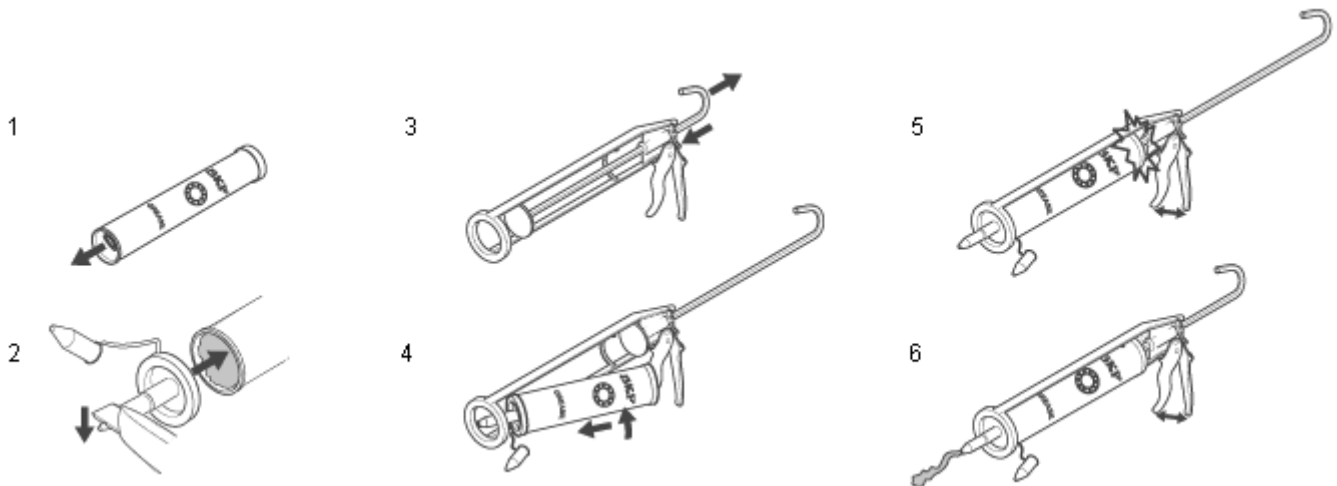


Technical data

Designation	LAGP 400
Maximum volume per stroke	20 cm ³ (1.2 in ³)
Material	Steel and re-inforced nylon (PA)
Length	360 mm (14 in)
Weight	0,35 kg (12 oz)

Operating instructions

1. Remove the pull cap from the top of the cartridge.
2. Attach one of the spout caps. If it is used for the first time: cut it open.
3. Pull back the piston on the applicator while pushing the metal brake forward.
4. Insert the grease container keeping the transparent section visible.
5. Pump the piston against the piston cap. Apply pressure until the piston cap brakes free.
6. Dispense the grease.



Please note that the grease packer LAGP 400 functions only with the SKF grease cartridge.

